

DESCRIPTION & SPEC - GLOBE VALVES

1/2"- 2" NPT, AT/AM (LINEAR ACTUATOR)

neptonic



For 2 Way control of hot water or chilled water, up to 50% Glycol & 15 PSI saturated steam.



Description

The **Linear** actuated **Globe Valves** provide digital or analog control in 2 Way applications, for water or low pressure steam service. Each unit is comprised of a linear actuator that is directly coupled to the valve. The linear actuator delivers a maximum of 100 pounds or 450 Newtons force at rated voltage. The direction of stroke is reversible. Valve sizing ranges from 1/2 inch to 2 inches with a maximum close-off pressure of 250 PSIG.

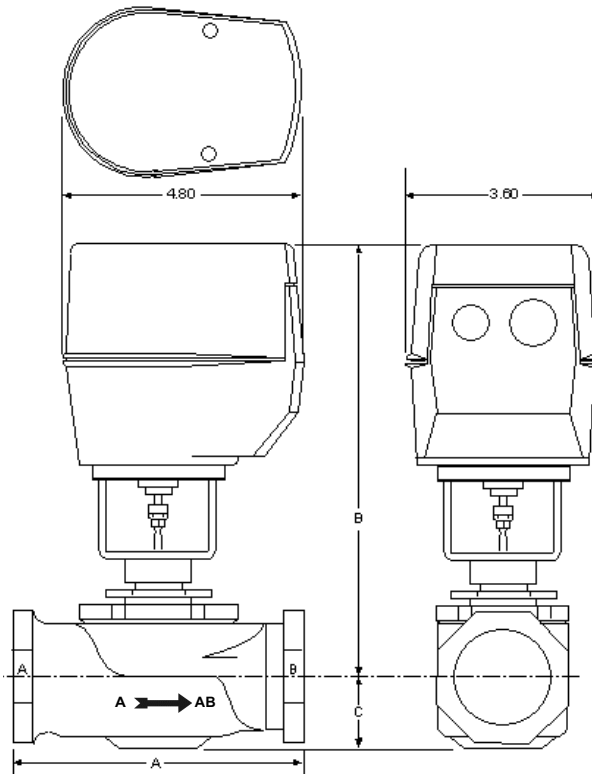
In low pressure **steam** applications, it is necessary to shield the actuator from heat generated by the valve. This is accomplished by an **adapter kit**, the DDSTM. The kit is available separately and factory installed.

Specifications

Valve Flow Type:	2 Way: Equal Percentage
Fluid Temperature:	Water: +40°F to +281°F (+4°C to +138°C) Steam: +230°F (+110°C) Maximum
Static Pressure:	Water: 250 PSIG Maximum
Inlet Pressure:	Steam: 15 PSIG Maximum
Max. Differential Pressure:	Water: 10 PSIG Recommended, (35 PSIG Maximum) Steam: 15 PSIG Maximum
Body & Seat:	Bronze ANSI B16.15 Class 250
Stem:	Stainless Steel
Plug:	Brass
Packing:	Spring Loaded Teflon Cone
End Connections:	NPT Female Standard



2 Way, 1/2" - 2" NPT with AT Actuators



SIZE	Cv	Kv	2 WAY VALVE MODELS	CLOSE OFF PSI	VALVE BODY DIMENSION		
					A	B	C
1/2"	0.4	0.3	GS A0004YB1	250	3.00	7.16	1.06
1/2"	1.3	1.1	GS A0013YB1	250	3.00	7.16	1.06
1/2"	2.2	1.9	GS A0022YB1	250	3.00	7.16	1.06
1/2"	4.4	3.8	GS A0044YB1	250	3.00	7.16	1.06
3/4"	5.5	4.7	GS B0055YB1	180	3.63	7.16	1.06
3/4"	7.5	6.4	GS B0075YB1	180	3.63	7.16	1.06
1"	10	8	GS C0100YB1	100	4.63	7.84	1.13
1"	14	12	GS C0140YB1	100	4.63	7.84	1.13
1-1/4"	20	17	GS D0200YB1	65	4.63	7.84	1.38
1-1/2"	28	24	GS E0280YB1	45	5.38	7.91	1.50
2"	40	34	GS F0400YB1	25	6.13	8.16	1.56

* All dimensions are in Inches.

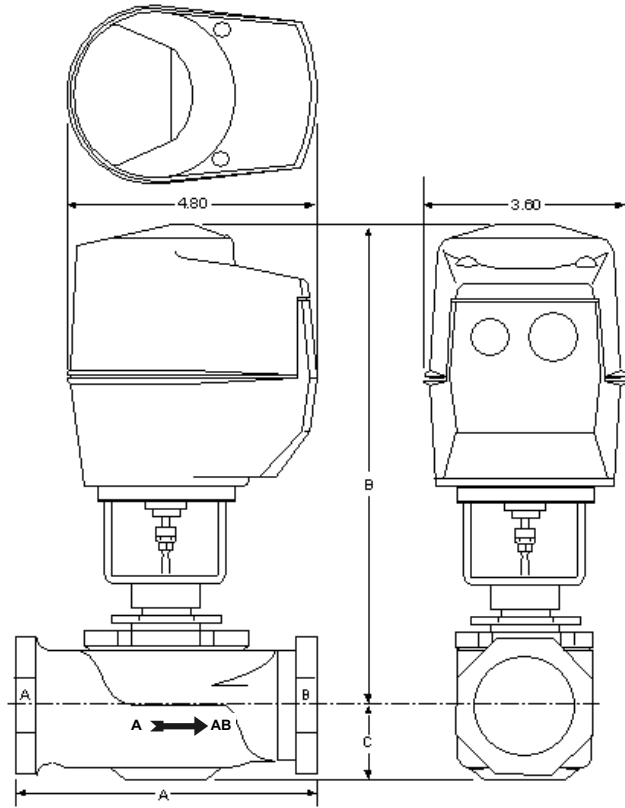
DIMENSIONS - GLOBE VALVES

1/2"- 2" NPT, AM ACTUATOR

neptronic



2 Way, 1/2" - 2" NPT with AM Actuators



SIZE	Cv	Kv	2 WAY VALVE MODELS	CLOSE OFF PSI	VALVE BODY DIMENSION		
					A	B	C
1/2"	0.4	0.3	GS A0004YB1	250	3.00	8.16	1.06
1/2"	1.3	1.1	GS A0013YB1	250	3.00	8.16	1.06
1/2"	2.2	1.9	GS A0022YB1	250	3.00	8.16	1.06
1/2"	4.4	3.8	GS A0044YB1	250	3.00	8.16	1.06
3/4"	5.5	4.8	GS B0055YB1	180	3.63	8.16	1.06
3/4"	7.5	6.5	GS B0075YB1	180	3.63	8.16	1.06
1"	10	8	GS C0100YB1	100	4.63	8.84	1.13
1"	14	12	GS C0140YB1	100	4.63	8.84	1.13
1-1/4"	20	17	GS D0200YB1	65	4.63	8.84	1.38
1-1/2"	28	24	GS E0280YB1	45	5.38	8.91	1.50
2"	40	34	GS F0400YB1	25	6.13	9.16	1.56

* All dimensions are in Inches.